

KODA™

LINKABLE MULTIPURPOSE LED LIGHTS

ITM. / ART. 1224697
Model: LM030007

CARE & USE INSTRUCTIONS



@KodaBuiltOfficial kodabuilt.com

IMPORTANT INFORMATION. PLEASE READ CAREFULLY AND RETAIN FOR FUTURE REFERENCE.

For assistance with assembly, installation, parts or customer service,
please contact us:



info@kodabuilt.com



1-866-294-9244, Monday to Friday, 8am to 5pm Pacific Time



2975 Red Hill Ave., Suite 100, Costa Mesa, CA 92626, USA

Create your own lighting masterpiece with the Koda Linkable Multipurpose LED Lights. This versatile light can be configured to fit any room or application, whether you're looking for a square, straight line or your own custom shape. The Koda Linkable Multipurpose LED Lights are capable of having up to 6 units linked together on one plug, enabling a cleaner look and application without all the messy cables.

You can flush mount Koda Linkable Multipurpose LED Lights on ceilings for your most optimal lighting needs. When setup, you'll be able to enjoy a bright 1300 lumens LED light (each linkable unit) that produces a 3500K color output with an estimated 50,000* hour life on each LED.

Improve your interior lighting with the Koda Linkable Multipurpose LED Lights, and embrace lighting the way you want it.

This product is suitable for use in home, office, warehouse, workshop, garage and other indoor locations.

IMPORTANT SAFETY INSTRUCTIONS:

DANGER - To reduce the risk of electric shock:

Always unplug this product from the electrical outlet before cleaning.

WARNING - To reduce risk of fire, electric shock, or injury to persons:

- Do not modify the power cord plug provided with the product.
- Do not use the light if the power cord or plug is damaged. If damaged, have it repaired by a service facility before use. If the plug does not fit the outlet, have a proper outlet installed by a qualified electrician.
- Disconnect the power cord plug from the power source before making any adjustment or changing accessories. Do not attempt to install the product while plugged in.
- Do not abuse the power cord. Never use the power cord to carry the light or pull the plug from an outlet. Keep the power cord away from heat, oil, sharp edges, or moving parts.
- Not for use with dimmer packs, timing devices, motion detectors, or lighting controllers other than supplied with this product.
- Store the product and remote out of reach of children.
- Only use product in its intended location.
- Close supervision is necessary when this product is used by or near children, disabled or elderly persons.
- These lights have a polarized plug (one blade is wider than the other) as a feature to reduce the risk of electric shock. This plug will fit in a polarized outlet only one way. If the plug does not fit fully in the outlet, reverse the plug. If it still does not fit, contact a qualified electrician. Never use with an extension cord unless plug can be fully inserted. Do not alter the plug.
- The receptacle is for connecting with the same model LM030007 only, and up to maximum 6 units (including the first one).

- Do not connect with other appliances, or connect more than 6 units of light model LM030007.

CAUTION: TO PREVENT ELECTRIC SHOCK, MATCH WIDE BLADE OF PLUG TO WIDE SLOT

SAVE THESE INSTRUCTIONS

WARNING:

- LED light output is strong enough to injure human eyes. Do not stare at the LED light while it is illuminating.
- If the light is damaged, it shall be exclusively replaced by the manufacturer or the service agent or qualified person in order to avoid a hazard.
- The warnings, precautions, and instructions discussed in this manual cannot cover all possible conditions and situations that may occur. The operator must understand that common sense and caution are factors which cannot be built into this product, but must be supplied by the operator.
- Do not tamper with or attempt to repair the LED component or fixture. The light source is designed for this specific application and should not be serviced by untrained personnel. Contact the customer service department if any servicing is required.

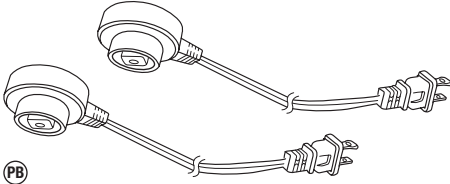
PACKAGE CONTENTS:

Please lay out all parts and read the instructions prior to installation.



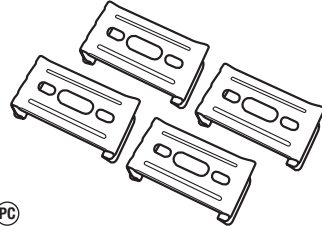
PA

2 x Linkable Multipurpose LED Lights



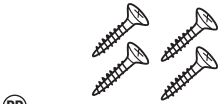
PB

2 x Detachable Power Cord Sets



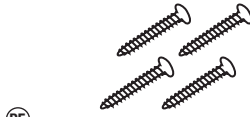
PC

4 x Mounting Brackets



PD

4 x Wood Screws



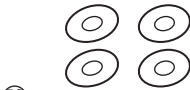
PE

4 x Drywall Screws



PF

4 x Plastic Anchors



PG

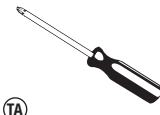
4 x Washers



PH

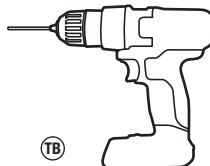
1 x Measuring Template

Tools Needed (not included)



TA

#2 Phillips Head
Screwdriver



TB

Drill and 2 mm /
5/64 inch Drill Bit



TC

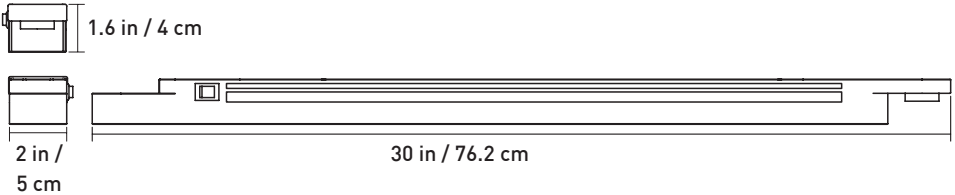
Safety Glasses

PRODUCT SPECIFICATIONS:

1. Operating Voltage: 120 Vac, 60 Hz
2. Wattage: 21 W
3. Light Output: 1300 lumens
4. Color Temperature: 3500 K
5. LED Life Cycles: up to 50,000 hours
6. Operating Temperature: 0°C to 40°C / 32°F to 104°F



This product is ETL/cETL Listed

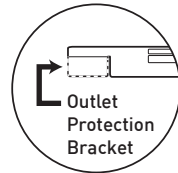


INSTALLATION PROCEDURES:

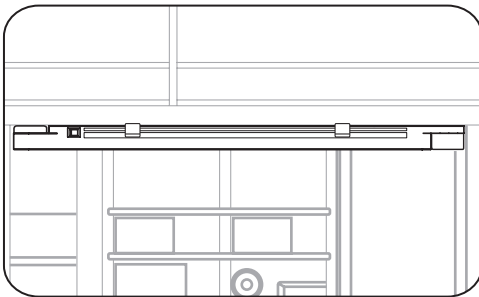
NOTE: The light can be linked with the same model LM030007 only, and can be linked up to maximum 6 units (including the first one).

The on/off switch at the first light would be served as the main switch. If you turn off the on/off switch at the first light, the light(s) linked together will also be turned off.

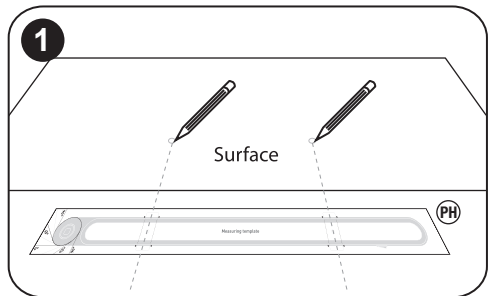
CAUTION: Never remove the Outlet Protection Bracket from the light unless you want to link up other lights.



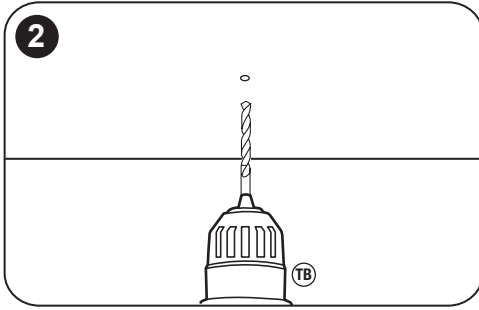
WITH SINGLE LIGHT:



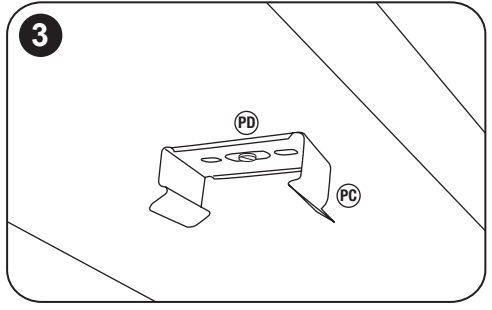
Final installed illustration



1. Select a mounting location and make sure the wooden surface is suitable for supporting the light. Use the measuring template (PH) to mark the mounting bracket (PC) locations on the mounting surface, with each location being 15 in / 38 cm apart from each other.

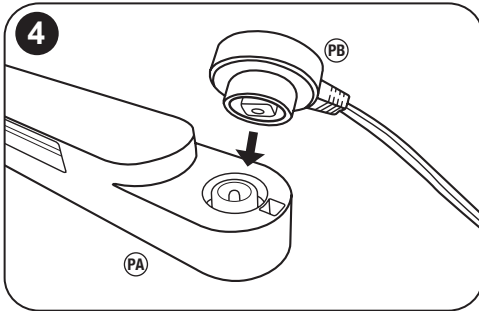


2. Wear safety glasses and drill two 5/64 inch diameter pilot holes.

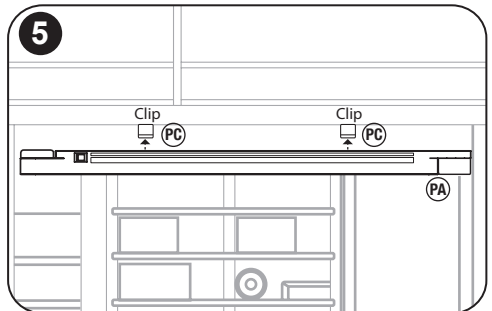


3. Screw the mounting bracket **PC** with the wood screw **PD** provided. Repeat for the second mounting bracket.

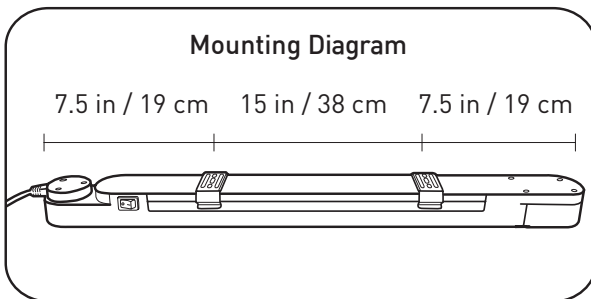
Note: For concrete or drywall, you may use drywall screws along with plastic anchors instead of wood screws.



4. Ensure the power cord set **PB** is installed properly by firmly pressing into the light socket **PA**.



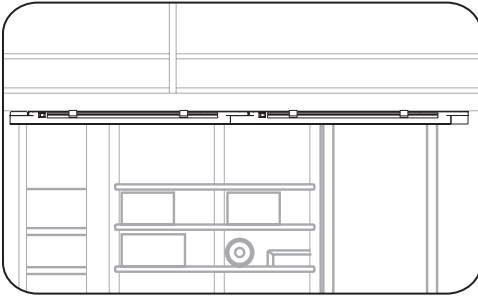
5. Clip mounting brackets **PC** onto the light.



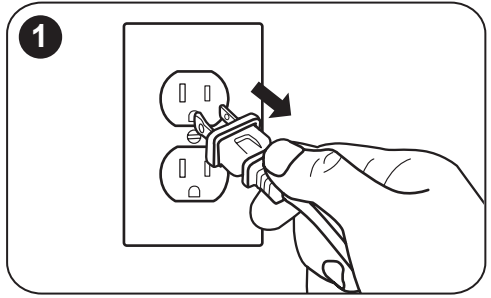
NOTE: The mounting brackets should be at least 15 in / 38 cm apart from each other.

CAUTION: Never plug in or turn on the light when the Outlet Protection Bracket is missing.

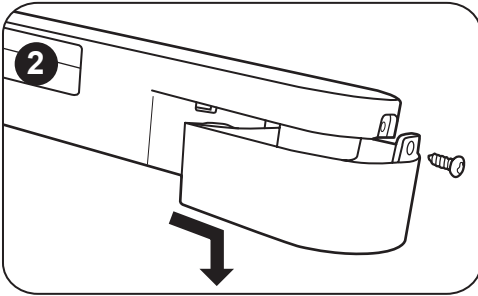
INSTALL ADDITIONAL LIGHT:



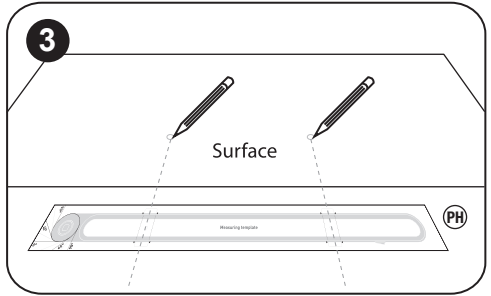
Final installed illustration



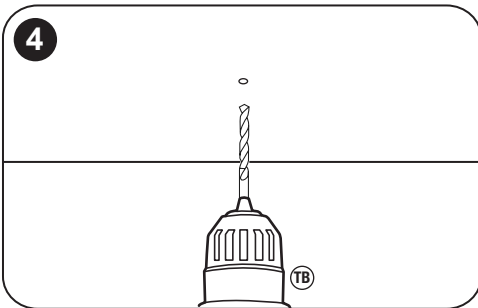
1. Unplug the first light.



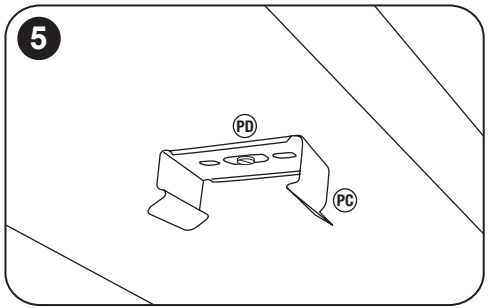
2. Unscrew and pull out the Outlet Protection Bracket horizontally and then downward from the first light.



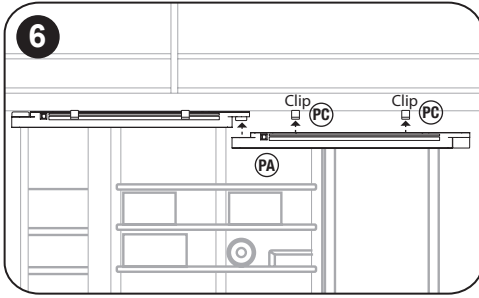
3. Use the measuring template (PH), with alignment of the light socket position of first light, to mark two more mounting bracket (PC) locations next to the first light, with each location being 15 in / 38 cm apart from each other.



4. Wear safety glasses and drill two 5/64 inch diameter pilot holes.



5. Screw the mounting bracket (PC) with the wood screw (PD) provided. Repeat for the second mounting bracket.
Note: For concrete or drywall, you may use drywall screws along with plastic anchors instead of wood screws.



6. Connect the second light to the outlet of the first light, then clip mounting brackets onto the second light.

MAINTENANCE:

CLEANING INSTRUCTIONS: When cleaning, make sure you have unplugged the light and allow it to cool to room temperature. The light can be cleaned with a feather duster or a soft damp cloth.

You should only plug in the light after it has been completely dried.

TROUBLESHOOTING:

PROBLEM	POSSIBLE CAUSE	SOLUTION
Light does not illuminate.	The light is not plugged in or the main switch is OFF.	Plug in and turn on the main switch.
Light does not turn on.	The light on/off switch is OFF.	Turn ON the light on/off switch. If you turn off the on/off switch at the first light, the light being linked together would be turned off along.

WARRANTY:

KODA

This Koda product carries a 5-year warranty against defects in workmanship and materials. This product is not guaranteed against wear or breakage due to misuse and/or abuse.

NOTE: Warranty only applies for North American customers of purchases made in North America.

CONDITIONS OF WARRANTY

If during the 5-year warranty period your new product is found to be defective, Koda will repair such defect, or replace the product, without charge for parts or labor subject to the following conditions:

- All repairs must be performed by Koda.
- All warranty claims must be accompanied by a copy of the sales receipt or bill of sale.
- The equipment must not have been altered or damaged through negligence, accident, improper operation, or failure to follow the product instructions for installation, use, or care.
- The replacement of parts is excluded from the warranty when replacement is necessary due to normal wear and tear.
- Repair or replacement parts supplied by Koda under this warranty are protected only for the unexpired portion of the original warranty.
- This is a “repair or replace” warranty only, and does not cover the costs incurred for the installation, removal or reinstallation of the product.

OWNER’S RESPONSIBILITIES: Koda will make every effort to provide warranty service within a reasonable period of time. **SHOULD YOU HAVE ANY QUESTIONS ABOUT SERVICE RECEIVED OR IF YOU WOULD LIKE ASSISTANCE IN OBTAINING SERVICE, PLEASE CALL TOLL FREE 1.866.294.9244 DURING REGULAR BUSINESS HOURS MONDAY THROUGH FRIDAY 8:00AM TO 5:00PM PST.**

NOTE: Toll-free number is for North American customers **ONLY**. See customer service section for customer contact numbers for other regions/offices.

For customer service and technical support, please call us at 1.866.294.9244 or email us at info@kodabuilt.com. If at that time it is determined that a replacement unit is needed, the support representative will issue a Return Authorization and instruct on how to get a new unit.

Koda makes no other warranty of any kind aside from the limited express warranty stated herein.

DISCLAIMER OF WARRANTIES, INCLUDING WARRANTY OF MERCHANTABILITY AND WARRANTY OF FITNESS FOR PARTICULAR PURPOSE: EXCEPT AS SPECIFICALLY SET FORTH HEREIN, NO WARRANTY OR REPRESENTATION, EXPRESS OR IMPLIED, IS MADE AS TO THE LINKABLE MULTIPURPOSE LED LIGHTS. KODA AND/OR ITS AFFILIATES EXPRESSLY DISCLAIMS, WITHOUT LIMITATION, ANY STATUTORY WARRANTIES AND ALL IMPLIED WARRANTIES, INCLUDING ANY IMPLIED WARRANTY OF MERCHANTABILITY OR FITNESS FOR A PARTICULAR PURPOSE.

FCC / IC COMPLIANCE STATEMENT:

Linkable Multipurpose LED Lights

Model: LM030007

Responsible Party:

Koda

Address: 2975 Red Hill Ave., Ste. 100, Costa Mesa, CA 92626, USA

Tel: 1-866-294-9244

This device complies with Part 15 of the FCC rules and Industry Canada. Operation is subject to the following two conditions: (1) This device may not cause harmful interference, and (2) this device must accept any interference received, including interference that may cause undesired operation.

Warning: Changes or modifications to this unit not expressly approved by the party responsible for compliance could void the user's authority to operate the equipment.

The manufacturer is not responsible for any radio or TV interference caused by unauthorized modifications or change to this equipment. Such modifications or change could void the user's authority to operate the equipment.

This equipment has been tested and found to comply with the limits for a Class B digital device, pursuant to part 15 of the FCC Rules. These limits are designed to provide reasonable protection against harmful interference in a residential installation. This equipment generates, uses and can radiate radio frequency energy and, if not installed and used in accordance with the instructions, may cause harmful interference to radio communications. However, there is no guarantee that interference will not occur in a particular installation.

If this equipment does cause harmful interference to radio or television reception, which can be determined by turning the equipment off and on, the user is encouraged to try to correct the interference by one or more of the following measures:

- Reorient or relocate the receiving antenna.
- Increase the separation between the equipment and receiver.

- Connect the equipment into an outlet on a circuit different from that to which the receiver is connected.
- Consult the dealer or an experienced radio/TV technician for help.


CAN ICES-005(B) / NMB-005(B)

The Facebook logo is a trademark of Facebook, Inc.

The Instagram logo is a trademark of Instagram, Inc.

YouTube and the YouTube logo are registered trademarks of Google Inc.

MADE IN CHINA

 Have a comment or question? Email us at info@kodabuilt.com
or visit us online at www.KodaBuilt.com

KODA™

A Horizon Brands Company
2975 Red Hill Ave., Ste. 100, Costa Mesa, CA 92626, USA | Tel: 1-866-294-9244
© 2020 Koda. All rights reserved.

ML-030007_V1