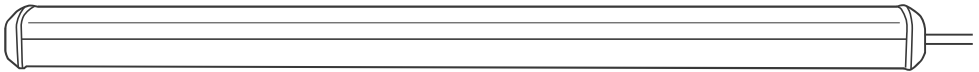




# LED LINKABLE SHOP LIGHT WITH MOTION SENSOR AND REMOTE

ITM. / ART. 1600034  
Model: LM030008

## CARE & USE INSTRUCTIONS



@KodaBuiltOfficial

## IMPORTANT, RETAIN FOR FUTURE REFERENCE: READ CAREFULLY

For assistance with installation, parts, Wi-Fi connectivity issues or other technical questions, please email us at [info@kodabuilt.com](mailto:info@kodabuilt.com) or call us at 1-866-294-9244, Monday through Friday, 8 am to 5 pm PT.

Please refer to the Troubleshooting section for common questions and answers, or visit the Koda Help Center at <https://help.horizon-brands.com/hc/en-us>

2975 Red Hill Ave., Ste. 100, Costa Mesa, CA 92626, USA

[www.KodaBuilt.com](http://www.KodaBuilt.com)

This product is suitable for use in home, office, warehouse, workshop, garage and other damp locations. This light has the following unique features:

- **Smart Sensor Control System:** This light is operated by a Smart Sensor Control to automatically turn on when motion is detected and will turn off automatically after no movement has been detected.
- **Convenient Wireless Remote:** With the remote control, you can easily adjust the brightness, sensor distance, the timer for auto dim, and the timer for auto-off.
- **Linkable:** This light can be linked up to 6 units of Koda model LM030008.

## **IMPORTANT SAFETY INSTRUCTIONS:**

**DANGER** - To reduce the risk of electric shock:

Always unplug this product from the electrical outlet before cleaning.

**WARNING:** To reduce risk of fire, electric shock, or injury to persons:

- Do not modify the power cord plug provided with the product.
- Do not use the light if the power cord or plug is damaged. If damaged, have it repaired by a service facility before use. If the plug does not fit the outlet, have a proper outlet installed by a qualified electrician.
- Disconnect the power cord plug from the power source before making any adjustment or changing accessories. Do not attempt to install the product while plugged in.
- Do not abuse the power cord. Never use the power cord to carry the light or pull the plug from an outlet. Keep the power cord away from heat, oil, sharp edges, or moving parts.
- Not for use with dimmer packs, timing devices, motion detectors, or lighting controllers other than supplied with this product.
- Store the product and remote out of reach of children.
- Only use product in its intended location.
- Close supervision is necessary when this product is used by, or near children, invalids, or disabled persons.
- Always unplug the appliance from the electrical supply outlet when not in use.
- These portable luminaries have a polarized plug (one blade is wider than the other) as a feature to reduce the risk of electric shock. This plug will fit in a polarized outlet only one way. If the plug does not fit fully in the outlet, reverse the plug. If it still does not fit, contact a qualified electrician. Never use with an extension cord unless plug can be fully inserted. Do not alter the plug.
- The receptacle is for connecting with the same model LM030008 only, and up to maximum 6 units (including the first one).
- Do not connect with other appliances, or connect more than 6 units of light model LM030008.

**CAUTION: TO PREVENT ELECTRIC SHOCK, MATCH WIDE BLADE OF PLUG TO WIDE SLOT**

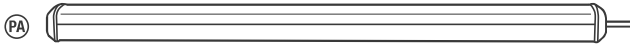
**SAVE THESE INSTRUCTIONS**

## **WARNING:**

- LED light output is strong enough to injure human eyes. Do not stare at the LED light while it is illuminating.
- If the light is damaged, it shall be exclusively replaced by the manufacturer or the service agent or qualified person in order to avoid a hazard.
- The warnings, precautions, and instructions discussed in this manual cannot cover all possible conditions and situations that may occur. The operator must understand that common sense and caution are factors which cannot be built into this product, but must be supplied by the operator.
- Do not tamper with or attempt to repair the LED component or fixture. The light source is designed for this specific application and should not be serviced by untrained personnel. Contact the customer service department if any servicing is required.

# PACKAGE CONTENTS:

Please lay out all parts and read the instructions prior to installation.



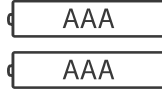
1 x LED Linkable Shop Light



1 x Wireless Remote



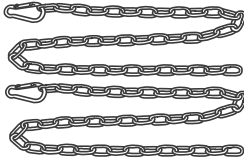
1 x Remote Control Setting Label



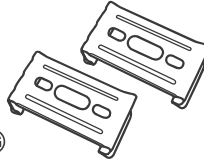
2 x AAA Batteries



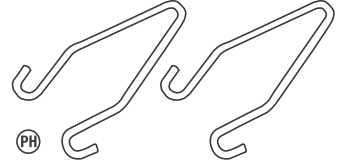
1 x Measuring Template



2 x Mounting Chains



2 x Mounting Brackets



2 x Hanging Hooks



2 x Plastic Anchors



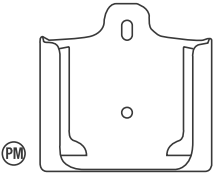
2 x Drywall Screws



2 x Wood Screws



2 x Washers



1 x Remote Holder



1 x 3M™/MC/MR Tape (for Remote Holder)

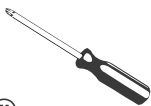


2 x Short Screws (for Remote Holder)

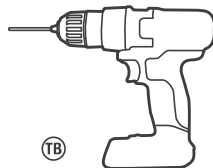


2 x Short Plastic Anchors (for Remote Holder)

## Tools Needed (not included)



Phillips Head Screwdriver



Drill and 2 mm / 5/64 inch Drill Bit



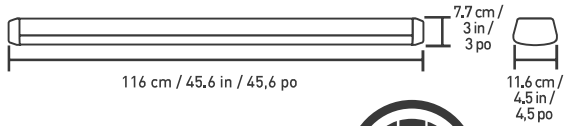
Safety Glasses



Screw Hooks

## PRODUCT SPECIFICATIONS:

1. Operating Voltage: 120 Vac, 60 Hz
2. Wattage: 48 W
3. Light Output: 4600 lumens
4. Color Temperature: 4000 K
5. LED Life Cycles: up to 50,000 hours
6. Operating Temperature: 0°C to 40°C / 32°F to 104°F



**Intertek**

This product is ETL/cETL Listed

## INSTALLATION PROCEDURES:

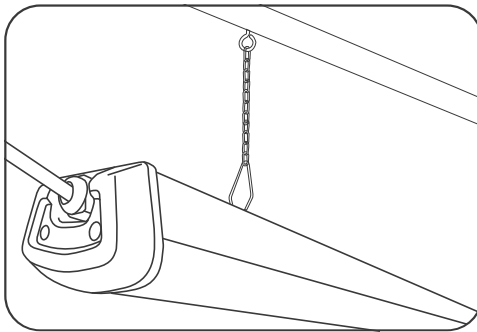
The product is intended to be connected to a plug and does not need to be switched on/off as it is controlled by the motion sensor and the remote control. You do not need to disconnect from the plug except when changing smart sensor control setting.

Due to the sensor's ability to detect movement through walls and doors, it is recommended to disable the motion sensor (see page 13) when installing the light in small rooms (e.g. storage closet, pantry, etc.) so movement outside these rooms cannot be picked up by the sensor. The light will operate through the main switch in this scenario.

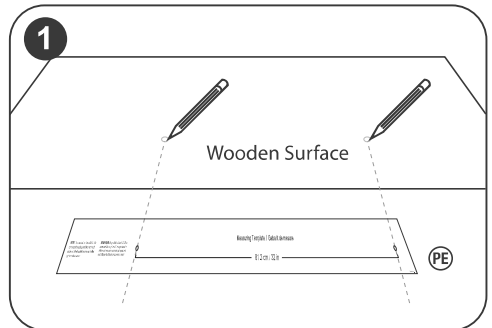
**NOTE:** The sensor may detect movement through walls and doors. If installing multiple LED Linkable Shop Lights, keep at least 1 m / 3.2 ft between each LED Linkable Shop Light to prevent sensor interference.

**NOTE:** The light can be linked with the same model LM030008 only, and can be linked up to maximum 6 units (including the first one).

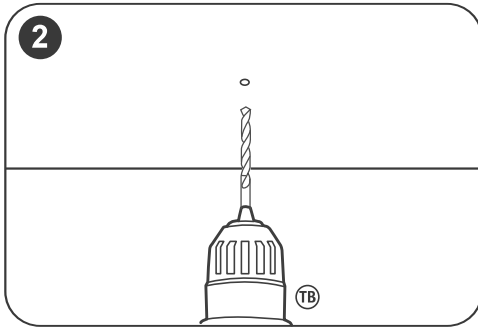
## CEILING HANGING WITH CHAINS:



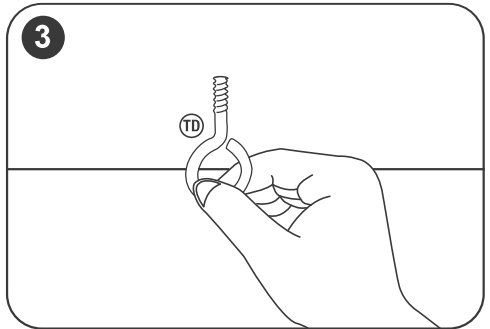
Final installed illustration



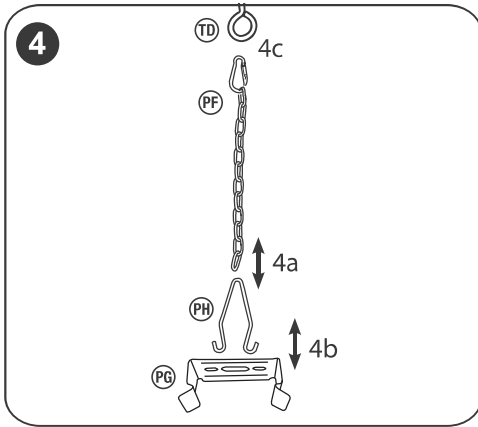
1. Select a mounting location and make sure the wooden surface is suitable for supporting the light. Use the measuring template (PE) to mark the hook locations on the mounting surface, with each location being 32 in / 81.3 cm apart from each other.



2. Wear safety glasses before drilling pilot holes. Drill two 2 mm diameter pilot holes.



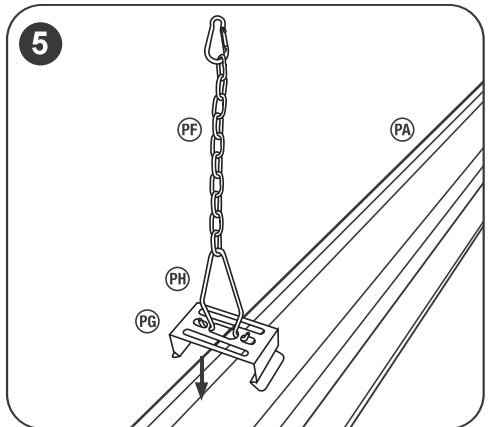
3. Screw in the screw hooks **TD** (not provided).



4a. Determine the desired hanging height. Slip the hanging hook **PH** through the chain **PF**.

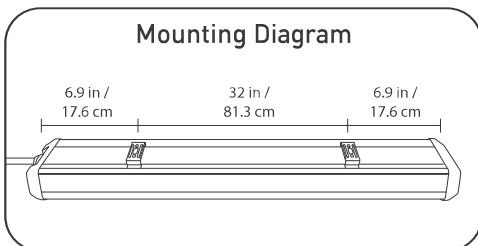
4b. Insert the hanging hook **PH** into the openings of the mounting bracket **PG**. Repeat for the other mounting bracket.

4c. Connect the chain onto the screw hook. Repeat for the other chain and hook.



5. Clip mounting brackets **PG** onto the light.

The light is intended to be installed directly beneath a ceiling-mounted receptacle. The excess power cord should be kept out of the work space, such as by securing it to one of the supporting chains with a cable tie.

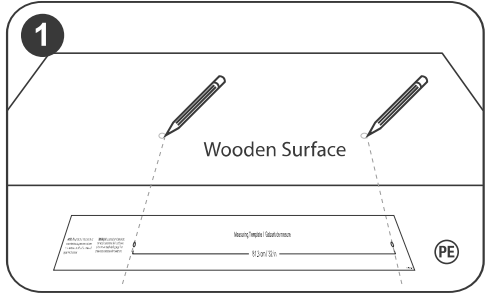


**NOTE:** The mounting brackets should be at least 32 in / 81.3 cm apart. See Mounting Diagram on the left for installation.

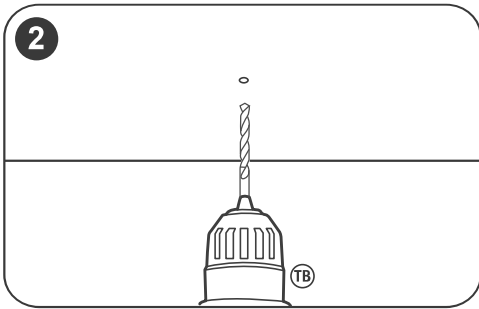
## CEILING FLUSH MOUNT:



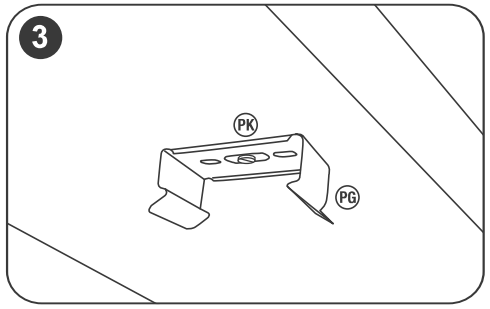
Final installed illustration



1. Select a mounting location and make sure the wooden surface is suitable for supporting the light. Use the measuring template (PE) to mark the hook locations on the mounting surface, with each location being 32 in / 81.3 cm apart from each other.

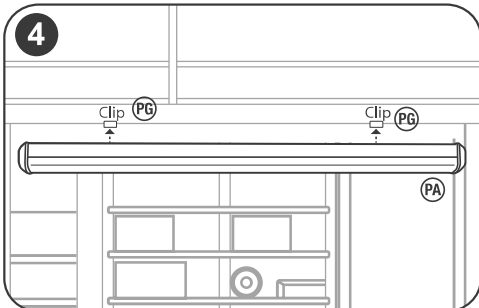


2. Wear safety glasses before drilling pilot holes. Drill two 2 mm diameter pilot holes.

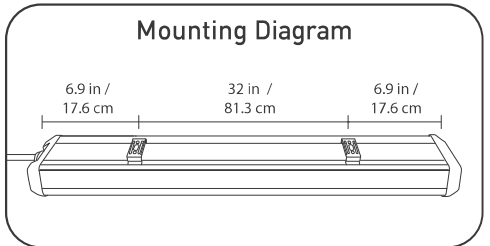


3. Screw the mounting bracket (PG) with the wood screw (PK) provided. Repeat for the second mounting bracket.

Note: For concrete or drywall, you may use drywall screws along with plastic anchors instead of wood screws.

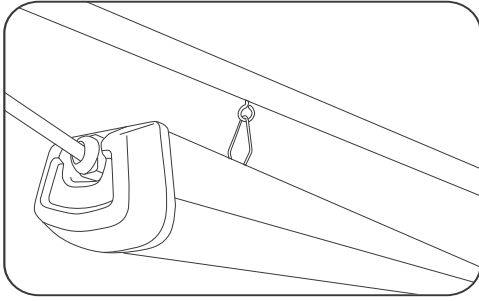


4. Clip mounting brackets (PG) onto the light.

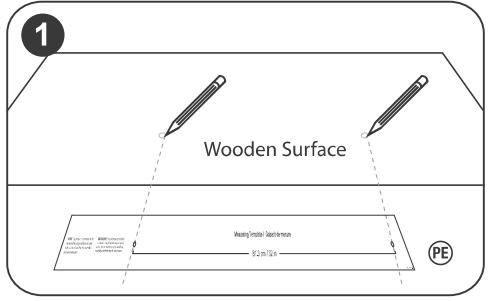


**NOTE:** The mounting brackets should be at least 32 in / 81.3 cm apart. See Mounting Diagram above for installation.

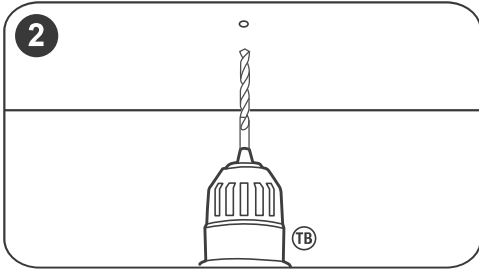
# CEILING HANGING WITH HOOKS:



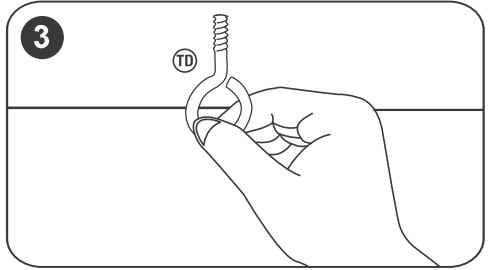
Final installed illustration



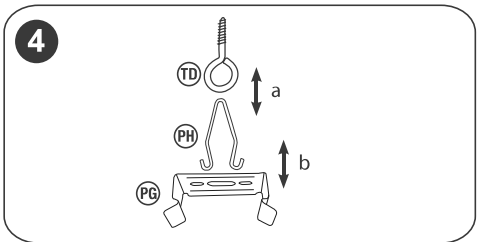
1. Select a mounting location and make sure the wooden surface is suitable for supporting the light. Use the measuring template (PE) to mark the hook locations on the mounting surface, with each location being 32 in / 81.3 cm apart from each other.



2. Wear safety glasses before drilling pilot holes. Drill two 2 mm diameter pilot holes.

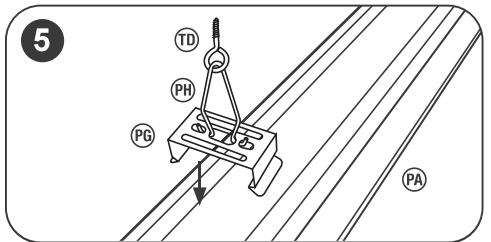


3. Screw in the screw hooks (TD) (not provided).



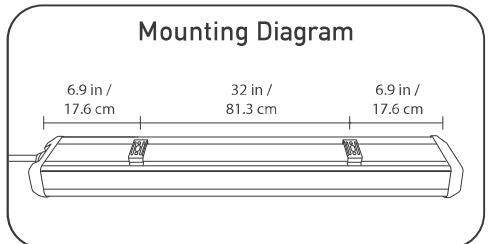
4a. Slip the hanging hook (PH) into the screw hook (TD). Repeat for the second hanging hook.

4b. Insert the hanging hook into the middle opening of the mounting bracket (PG). Repeat for the other mounting bracket.



5. Clip mounting brackets (PG) onto the light.

**NOTE:** The mounting brackets should be at least 32 in / 81.3 cm apart. See Mounting Diagram on the right for installation.





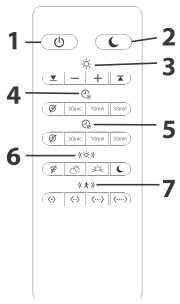
# WIRELESS REMOTE:

Before using the remote, please open the switch cover on the back and insert the two AAA batteries provided.

When using the remote, you must point the remote directly at the light to ensure the signals can be sent to the light. When the light receives the remote signal, the light will blink once as a visual confirmation.

**Note:** This remote uses infrared (IR) to send commands to the LED Linkable Shop Light. It is possible to control multiple LED Linkable Shop Lights from one remote as long as the lights are within line-of-sight of the remote to receive commands.

## REMOTE SETTINGS:



### 1. Power Button

Press the button to turn the light on and off accordingly.  
**NOTE:** When you press the power button to turn light off while the motion sensor is set to ON, the light will turn ON automatically again when there is motion detected.

### 2. Night Mode

By pressing the button, the light will dim to 10% brightness.

### 3. Brightness

You can adjust the brightness from 10% to 100% by pressing the + or — button continuously. Press the + button to increase the brightness and press the — button to dim. You may also press the button to reach 100% brightness instantly or the button to reach 10% brightness instantly.

### 4. Time Until Dim


This is the time to dim the light when no movement is detected. You can choose from Off, 30 seconds, 10 minutes, or 30 minutes.

Icon		30sec	10min	30min
Timer	Off	30 seconds	10 minutes	30 minutes

The light will be dimmed to 50% of the preset brightness level setting if there is no movement detected by the sensor. Any movement detected within this period will restart the timer.

## 5. Time Until Off

This is the time for the light to turn OFF completely when there is no motion detected. You can choose from Off, 30 seconds, 10 minutes, or 30 minutes.

Icon		30sec	10min	30min
Timer	Off	30 seconds	10 minutes	30 minutes

The light will be turned OFF when there is no motion detected within the preset time. Any movement detected within this period will restart the timer and the light will be turned on again.





The timer of light will start counting the Time Until Dim function and then the Time Until Off. (E.g. for both timer settings are 30 sec: the light will be dimmed down when no motion has been detected for 30 seconds and the light will be turned OFF when no motion is detected within 30 seconds after. Any movement detected within this period will restart the timer, and the light will turn on again.)

You can select 'OFF' if you want to have the light turned ON at all times. By selecting this mode, the Ambient Light Sensor function will be disabled.

**NOTE:** Total duration the light is on for includes Time Until Dim plus Time Until Off.

## 6. Ambient Light Sensor

Ambient Light Sensor refers to the surrounding area light level to keep light OFF during the daytime regardless of any movement. You can choose from Off, Overcast, Dusk or Night.

Setting				
Ambient Light Sensor	Off	Overcast	Dusk	Night

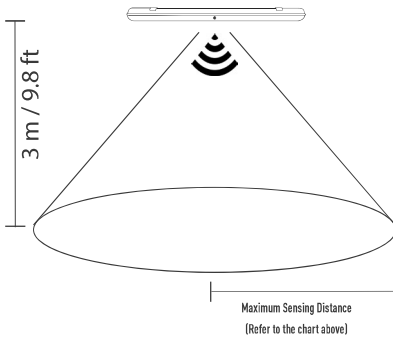
For example, if you set to Overcast, when the surrounding area is bright enough, such as sunny day, the light will stay OFF even if motion has been detected. When the surrounding area is less bright than overcast and there is motion detected by the sensor, the light will turn ON. In 'Night' setting, the light will turn ON only when the surrounding area is dark and there is motion detected by the sensor. The 'OFF' mode is for usage where you want to disable the light sensor function, i.e. the light is controlled by motion sensor only.

**NOTE:** If the motion sensor is turned OFF to disable the motion sensor feature, the light sensor feature will be automatically turned OFF. In this case, the light must be turned on with the remote.

## 7. Distance (大)

Distance is the maximum motion detection range. You can choose from various settings: Very near, Near, Mid-range and Far. The sensing distances ranges from roughly 3.2 ft. / 1m to 22.9 ft. / 7 m. You may refer to the table below for the maximum sensing distance for the light installed at a height of 9.8 ft. / 3 m.

Icon	Setting	Maximum Sensing Distance (D)
<>	Very near	3.2 ft - 6.5 ft / 1 m - 2 m
<->	Near	6.5 ft - 11.4 ft / 2 m - 3.5 m
<...>	Mid-range	11.4 ft - 16.4 ft / 3.5 m - 5 m
<...>	Far	16.4 ft - 22.9 ft / 5 m - 7 m



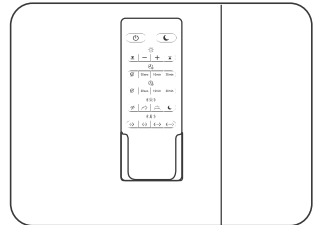
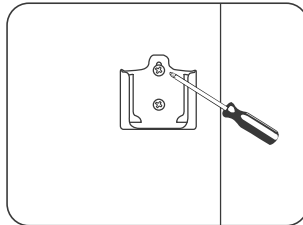
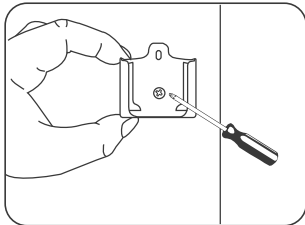
Any movement inside the detection zone will be detected by the motion sensor.

Actual sensing distance may be influenced by environment conditions, height of moving object, or installation height.

For example, the sensing distance increases in an open area free of objects, while the sensing distance decreases in an area with many metallic objects.

### INSTALLING REMOTE HOLDER:

You can install the remote holder by mounting it on the wall with the short screws and short plastic anchors.



Another option is to use the 3M tape<sup>®</sup> to mound the remote holder to the wall.

The Remote Control Setting Label may be attached to the back of the remote for future reference.

## MAINTENANCE:

**CLEANING INSTRUCTIONS:** When cleaning, make sure you have unplugged the light and allow it to cool to room temperature. Do not open the retaining clips when cleaning. The light can be cleaned with a feather duster or a soft damp cloth.

You should only plug in the light after it has been completely dried.

## RECOMMENDED SETTINGS:

### WHEN INSTALLED IN A GARAGE:

Time Until Dim ☾ : 30sec

Time Until Off ☾ : 30sec

Ambient Light Sensor (☀) : Off ✕

Distance (♠) : Very near <>

The motion sensor covers a small area. The light will dim down when there is no movement detected within 30 seconds and will completely turn off when no movement is detected within 30 seconds thereafter.

### WHEN INSTALLING IN A WAREHOUSE OR WORKSHOP:

Time Until Dim ☾ : 30min

Time Until Off ☾ : 30min

Ambient Light Sensor (☀) : Off ✕

Distance (♠) : Mid-range <…>

The motion sensor covers a large area. The light will dim down when there is no movement detected within 30 minutes and will completely turn off when no movement is detected within 30 minutes thereafter.

### WHEN WANTING TO KEEP THE LIGHT ALWAYS ON:

Time Until Dim ☾ : 10min

Time Until Off ☾ : Off ∅

Ambient Light Sensor (☀) : Off ✕

Distance (♠) : Far <…>

By selecting this mode, the light will be ON all the time. When there is no movement within 10 minutes, the light will dim down. The light will return to full brightness when movement is detected.

## WHEN INSTALLING IN THE OFFICE:

Time Until Dim  : Off 

Time Until Off  : 30min


Ambient Light Sensor  : Off 

Distance  : Far 



The light will be completely off when there is no movement detected within 30 minutes.

## DISABLE MOTION / LIGHT SENSOR:

Time Until Dim  : Off 

Time Until Off  : Off 

Ambient Light Sensor  : Off 

Distance  : Very near 

You can choose this setting to simulate ordinary light and manually operate through the wall switch.

## TROUBLESHOOTING:

PROBLEM	POSSIBLE CAUSE	SOLUTION
Light does not illuminate.  Light does not turn on.	The light is not plugged in or the main switch is OFF.	Plug in and turn on the main switch.
Light settings cannot be changed from the remote.	Batteries not inserted correctly.	Open the battery compartment cover and confirm the batteries are inserted correctly. Replace with new batteries if needed.
	Batteries are dead.	Replace with two new AAA batteries.
	Remote control is out of range.	Move closer to the LED Linkable Shop Light to select changes from the remote.
The light is ON without any identifiable movement.	Motion detected. (The motion sensor may be detecting movement behind walls, doors, etc.)	Select a smaller motion detection range such as Very Near.

PROBLEM	POSSIBLE CAUSE	SOLUTION
The light stays off despite motion.	Rapid movements are being suppressed to minimize malfunctioning of light or the detection zone you have set is too narrow.	Widen distance setting to a larger motion detection zone.
	'Ambient Light Sensor' is ON, preventing the light from illuminating when ambient lighting is bright.	Change the 'Ambient Light Sensor' setting to OFF, or other appropriate settings.
The light is always ON.	Continuous movement in the detection zone.	Select a smaller motion detection range such as Very Near.
	Motion sensor has been switched OFF.	Change 'Time Until Off' setting to other appropriate settings, such as 30 sec, 10 min, or 30 min
	The total time the light stays on is 'Time Until Dim' plus 'Time Until Off'.	Adjust 'Time Until Dim' and 'Time Until Off' settings to shorter durations.
The light does not operate normally or as expected when more than one LED Linkable Shop Light is installed.	Sensor interference due to multiple LED Linkable Shop Lights.	Ensure each LED Linkable Shop Light is at least 3.2 ft / 1 m away from each other.
My Wi-Fi is all of a sudden unstable when the shop light is on.	The Koda LED 46" Linkable Shop Light with Motion Sensor and Remote uses 5.8GHz technology for the motion sensor. This signal may interfere with some Wi-Fi channels depending on your router's configuration.	<p>Try restarting your Wi-Fi router, either by unplugging for 10 seconds then plugging it back in, or by restarting it within the router's settings.</p> <p>By restarting your Wi-Fi router, it will force the router to search for a new channel that doesn't have interference from the shop light.</p> <p>If the problem persists, try logging in to your Wi-Fi router's configuration settings to manually change the Wi-Fi channel being used. Choose any channel other than a value between 149 to 165. All other channels should allow your Wi-Fi router to work without any interference from the shop light.</p> <p>If the problem persists, please contact Koda Customer Support at <a href="mailto:info@kodabuilt.com">info@kodabuilt.com</a> or call us at 1-866-294-9244, Monday through Friday, 8 am to 5 pm PT.</p>

## **WARRANTY:**

### **KODA**

This Koda product carries a 5-year warranty against defects in workmanship and materials. This product is not guaranteed against wear or breakage due to misuse and/or abuse.

**NOTE:** Warranty only applies for North American customers of purchases made in North America.

### **CONDITIONS OF WARRANTY**

If during the 5-year warranty period your new product is found to be defective, Koda will repair such defect, or replace the product, without charge for parts or labor subject to the following conditions:

- All repairs must be performed by Koda.
- All warranty claims must be accompanied by a copy of the sales receipt or bill of sale.
- The equipment must not have been altered or damaged through negligence, accident, improper operation, or failure to follow the product instructions for installation, use, or care.
- The replacement of parts is excluded from the warranty when replacement is necessary due to normal wear and tear.
- Repair or replacement parts supplied by Koda under this warranty are protected only for the unexpired portion of the original warranty.
- This is a “repair or replace” warranty only, and does not cover the costs incurred for the installation, removal or reinstallation of the product.

**OWNER’S RESPONSIBILITIES:** Koda will make every effort to provide warranty service within a reasonable period of time. **SHOULD YOU HAVE ANY QUESTIONS ABOUT SERVICE RECEIVED OR IF YOU WOULD LIKE ASSISTANCE IN OBTAINING SERVICE, PLEASE CALL TOLL FREE 1.866.294.9244 DURING REGULAR BUSINESS HOURS MONDAY THROUGH FRIDAY 9:00 AM TO 5:00 PM PST.**

**NOTE:** Toll-free number is for North American customers **ONLY**. See customer service section for customer contact numbers for other regions/offices.

For customer service and technical support, please call us at 1.866.294.9244 or email us at [info@kodabuilt.com](mailto:info@kodabuilt.com). If at that time it is determined that a replacement unit is needed, the support representative will issue a Return Authorization and instruct on how to get a new unit.

Koda makes no other warranty of any kind aside from the limited express warranty stated herein.

**DISCLAIMER OF WARRANTIES, INCLUDING WARRANTY OF MERCHANTABILITY AND WARRANTY OF FITNESS FOR PARTICULAR PURPOSE: EXCEPT AS SPECIFICALLY SET FORTH HEREIN, NO WARRANTY OR REPRESENTATION, EXPRESS OR IMPLIED, IS MADE AS TO THE LED LINKABLE SHOP LIGHT. KODA AND/OR ITS AFFILIATES EXPRESSLY DISCLAIMS, WITHOUT LIMITATION, ANY STATUTORY WARRANTIES AND ALL IMPLIED WARRANTIES, INCLUDING ANY IMPLIED WARRANTY OF MERCHANTABILITY OR FITNESS FOR A PARTICULAR PURPOSE.**

## **FCC / IC COMPLIANCE STATEMENT:**

LED Linkable Shop Light

Model: LM030008

Responsible Party:

Koda

Address: 2975 Red Hill Ave., Ste. 100, Costa Mesa, CA 92626, USA

Tel: 1-866-294-9244

This device complies with Part 15 of the FCC rules and Industry Canada license-exempt RSS standard(s). Operation is subject to the following two conditions: (1) this device may not cause harmful interference, and (2) this device must accept any interference received, including interference that may cause undesired operation.

**Warning:** Changes or modifications to this unit not expressly approved by the party responsible for compliance could void the user's authority to operate the equipment.

The manufacturer is not responsible for any radio or TV interference caused by unauthorized modifications or change to this equipment. Such modifications or change could void the user's authority to operate the equipment.

This equipment has been tested and found to comply with the limits for a Class B digital device, pursuant to part 15 of the FCC Rules. These limits are designed to provide reasonable protection against harmful interference in a residential installation. This equipment generates, uses and can radiate radio frequency energy and, if not installed and used in accordance with the instructions, may cause harmful interference to radio communications. However, there is no guarantee that interference will not occur in a particular installation.

If this equipment does cause harmful interference to radio or television reception, which can be determined by turning the equipment off and on, the user is encouraged to try to correct the interference by one or more of the following measures:

- Reorient or relocate the receiving antenna.
- Increase the separation between the equipment and receiver.
- Connect the equipment into an outlet on a circuit different from that to which the receiver is connected.
- Consult the dealer or an experienced radio/TV technician for help.

The device has been evaluated to meet general RF exposure requirement.

To maintain compliance with FCC/IC's RF exposure guidelines, this equipment should be installed and operated with a minimum distance of 20cm between the radiator and your body.

CAN ICES-005(B) / NMB-005(B)



**3M™ / MC / MR** is a trademark of 3M Company.  
The Facebook logo is a trademark of Facebook, Inc.  
The Instagram logo is a trademark of Instagram, Inc.  
YouTube and the YouTube logo are registered trademarks of Google Inc.

DISTRIBUTED BY:  
COSTCO WHOLESALE CORPORATION  
P.O. BOX 34535  
SEATTLE, WA 98124-1535  
USA  
1-800-774-2678  
WWW.COSTCO.COM

COSTCO WHOLESALE CANADA LTD.\*  
415 W. HUNT CLUB ROAD  
OTTAWA, ONTARIO  
K2E 1C5, CANADA  
1-800-463-3783  
WWW.COSTCO.CA  
\* FAISANT AFFAIRE AU QUÉBEC SOUS  
LE NOM LES ENTREPÔTS COSTCO

IMPORTADO POR:  
IMPORTADORA PRIMEX S.A. DE C.V.  
BLVD. MAGNOCENTRO NO. 4  
SAN FERNANDO LA HERRADURA  
HUIXQUILUCAN, ESTADO DE MÉXICO  
C.P. 52765  
RFC: IPR-930907-S70  
(55)-5246-5500  
WWW.COSTCO.COM.MX

COSTCO WHOLESALE UK LTD /  
COSTCO ONLINE UK LTD  
HARTSPRING LANE  
WATFORD, HERTS  
WD25 8JS  
UNITED KINGDOM  
01923 213113  
WWW.COSTCO.CO.UK

COSTCO FRANCE  
1 AVENUE DE BRÉHAT  
91140 VILLEBON-SUR-YVETTE  
FRANCE  
01 80 45 01 10  
WWW.COSTCO.FR

COSTCO WHOLESALE ICELAND EHF.  
KAUPTÚN 3-7, 210 GARDABAER  
ICELAND  
WWW.COSTCO.IS

COSTCO WHOLESALE AUSTRALIA PTY LTD  
17-21 PARRAMATTA ROAD  
LIDCOMBE NSW 2141  
AUSTRALIA  
WWW.COSTCO.COM.AU

COSTCO WHOLESALE SPAIN S.L.U.  
POLÍGONO EMPRESARIAL LOS  
GAVILANES  
C/ AGUSTÍN DE BETANCOURT, 17  
28906 GETAFE (MADRID) ESPAÑA  
NIF: B86509460  
900 111 155  
WWW.COSTCO.ES


COSTCO WHOLESALE JAPAN LTD.  
3-1-4 IKEGAMI-SHINCHO  
KAWASAKI-KU, KAWASAKI-SHI,  
KANAGAWA 210-0832 JAPAN  
0570-032600  
WWW.COSTCO.CO.JP

COSTCO WHOLESALE KOREA, LTD.  
40, ILJIK-RO  
GWANGMYEONG-SI  
GYEONGGI-DO, 14347, KOREA  
1899-9900  
WWW.COSTCO.CO.KR

COSTCO PRESIDENT TAIWAN, INC.  
NO. 656 CHUNG-HWA 5TH ROAD  
KAOHSIUNG, TAIWAN  
COMPANY TAX ID: 96972798  
449-9909 OR 02-449-9909 (IF CELLPHONE)  
WWW.COSTCO.COM.TW

SHANGHAI MINHANG COSTCO TRADING CO., LTD  
NO.235 ZHUJIAN ROAD  
MINHANG DISTRICT, SHANGHAI  
CHINA 201106  
+86-21-6257-7065

## MADE IN CHINA

 Have a comment or question? Email us at [info@kodabuilt.com](mailto:info@kodabuilt.com)  
or visit us online at [www.KodaBuilt.com](http://www.KodaBuilt.com)

**KODA™**

A Horizon Brands Company  
2975 Red Hill Ave., Ste. 100, Costa Mesa, CA 92626, USA | Tel: 1-866-294-9244  
© 2019 Koda. All rights reserved.